

A16 Hood, low profile, IP65

Single locking lever, side entry M25

A16

Hood (low)

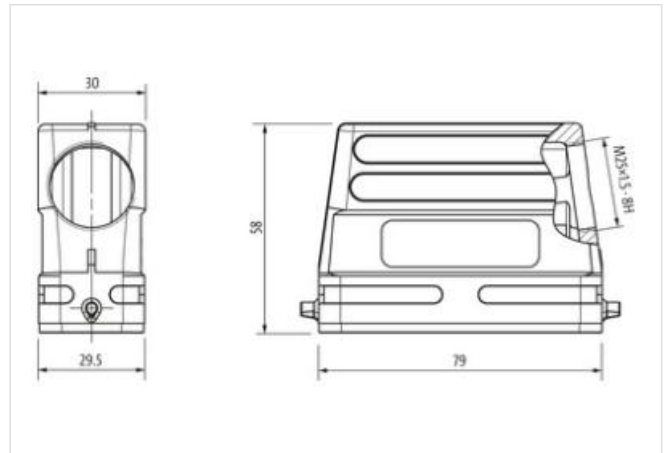
Single locking lever

IP65

Technical data will be only guaranteed with Murrelektronik components.

Link to Product

Illustration



Product may differ from Image

Commercial data

ECLASS-6.0	27143424
ECLASS-6.1	27261203
ECLASS-7.0	27440202
ECLASS-8.0	27440202
ECLASS-9.0	27440202
ECLASS-10.1	27440202
ECLASS-11.1	27440202
ECLASS-12.0	27440202
ETIM-5.0	EC000437
customs tariff number	85389099
GTIN	4048879644013
Packaging unit	1

Installation

Cable outlet	laterally
--------------	-----------

Installation | Connection

Mounting set	M25
Mating cycles min.	500

Device protection | Electrical

Degree of protection (EN IEC 60529)	IP65
Additional condition protection degree	inserted, locked, with screw connection

Mechanical data

Housing type	Hood
--------------	------

Mechanical data | Material data

The information in this Product-PDF has been compiled with the utmost care.

Liability for the correctness completeness and topicality of the information is restricted to gross negligence. Version: 2024-06-26

Murrelektronik Canada | 2840 Argentia Rd Unit #9 | L5N 8G4 Mississauga, ON | Fon +1 905-362-2211 | Fax +1 905-362-2101 | shop@murr.ca | shop.murr.ca

Coating housing	powder-coated
Coating locking	verzinkt
Material gasket	CR
Material housing	Aluminum die casting
Locking material	Steel

Mechanical data | Mounting data

Size	A16
Height	58 mm
Width	30 mm
Depth	79 mm
Locking techniques	Single locking lever

Environmental characteristics | Climatic

Operating temperature min.	-40 °C
Operating temperature max.	100 °C
Climatic category (EN IEC 60068-1)	40/100/21