

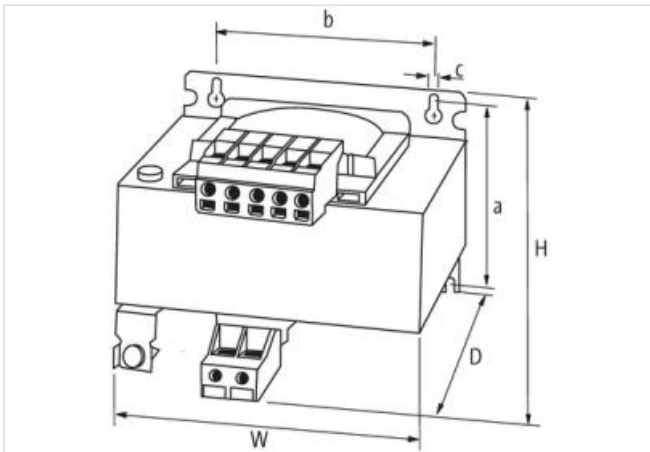
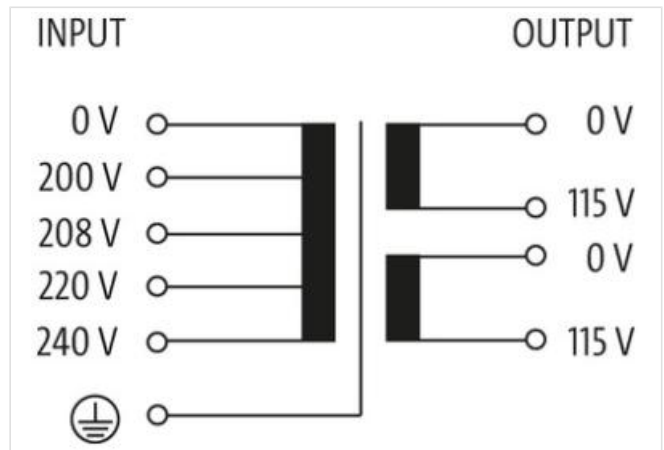
MST SINGLE-PHASE CONTROL AND ISOLATION TRANSFORMER

P:60VA IN:200/208/220/240VAC OUT:2x115VAC

Single-phase - Control and Isolation Transformers
 60 VA
 Isolation class T 40/B
 Other voltages on request.

[Link to Product](#)

Illustration



Product may differ from Image

Commercial data

ECLASS-6.0	27031202
ECLASS-7.0	27031202
ECLASS-8.0	27031202
ECLASS-9.0	27031202
ETIM-5.0	EC002486
customs tariff number	85043180
GTIN	4048879311618
Packaging unit	1

Electrical data | Supply

Power frequency	50 ... 60 Hz
-----------------	--------------

Electrical data Input	
Input voltage AC	200, 208, 220, 240
Input voltage AC	200 V
Current input AC	0,37 A
Max. inrush current	2,4 A
Short-circuit current	3,5 A
Electrical data Output	
Output voltage	2 × 115 V AC
Output voltage AC	115 V
Output voltage adjustable	no
Power rating AC max.	60 VA
Device protection Electrical	
Insulation test voltage input - output	3,9 kV
Mechanical data Mounting data	
Suitable for mounting type	Schlüssellochaufhängung
Mounting dimension a	56 mm
Mounting dimension b	56 mm
Mounting dimension c	4,8 mm
Height	81 mm
Width	79 mm
Depth	90 mm
Diameter bore	4,8 mm
Length bore	12 mm
Environmental characteristics Climatic	
Operating temperature min.	-20 °C
Operating temperature max.	40 °C
Storage temperature min.	-40 °C
Storage temperature max.	80 °C
Conformity	
Product standard	EN 61558-1, EN 61558-2-4, EN 62041 category 0
Connection type 3	
Connection type 1	Input
Connection type 2	Output
Connection	Screw terminals SK
Family construction form	terminal
Gender	female
No. of poles	5
PIN 2	200 V
PIN 3	208 V
PIN 4	220 V
PIN 5	240 V
Connection	Screw terminals SK
Family construction form	terminal
Gender	female
No. of poles	4
PIN 3	115 V
PIN 4	115 V
Connection	Screw terminals SK
Family construction form	terminal
Gender	female
Color contact carrier	metallic

No. of poles	1
PIN 1	PE